



dispensing
in perfection

content

- 02 this is us
- 04 teamspirit
- 08 branches
- 12 applications
- 18 products
- 48 services
- 54 contact



hello

we are dosmatix.

Dispensing in perfection. Accessible for medium-sized companies, pioneering for automated production.

With our modular system for dosing systems, we at dosmatix have achieved a long overdue optimization in the dosing industry and redesigned the key process of dispensing.

For the first time, medium-sized companies can also use automated options. Our systems are suitable for a wide range of potting applications and can be flexibly adapted to changes in production or components.

We are continuously developing our dosmatix components with a view to digitalization and Industry 4.0. Our focus is on smart production and our goal is to optimize the use of resources. Thanks to networking, state-of-the-art monitoring and proactive maintenance, you can achieve perfect dispensing results with dosmatix.

Welcome to dosmatix.

perfection needs excellent performance.

We have clearly positioned ourselves as a provider of innovative dispensing solutions: Based on the expertise we have built up over decades, we have focused the entire dispensing process chain uncompromisingly on the needs of the user:

From simple and smart configuration of the system, to perfect integration into different environments, to process and resource optimization in material preparation and dispensing..

innovative. digital. excellent.

These three principles drive us. The will to achieve something that has never been done before, the use of digital technology and the enthusiasm for the best solutions.





our team
makes the
difference.

we are passionate about new ideas.

High performance - this core idea not only characterizes our products, but is also the most important motivation of our team. This is where industry experience and inventiveness are taken to a new level in order to find new solutions..

The decisive impetus for founding dosmatix was the conviction that there was a lot of catching up to do in dispensing technology. We knew for sure that constructive improvements to the hardware and the implementation of pioneering ideas, such as the integration of intelligent sensors in addition

to software-based process optimization, could achieve a quantum leap in the performance of dispensing systems - in terms of conveying capacity, residual quantity utilization, weight control, intelligence, flexibility and adaptability.

It had been in the pipeline for a long time to finally implement this consistently in technology - but nobody had tackled it yet. This is exactly what we at dosmatix recognized and rolled up our sleeves. This entrepreneurial vision has given rise to something new. We call it **dispensing in perfection**.

Our modular dispensing system consists of optimally coordinated components that enable material conveying, dispensing and flexible integration in a wide variety of production environments. This enables users in medium-sized and large-scale industry to make their dispensing processes significantly more economical and efficient.

We follow a clear entrepreneurial mission: our goal is to be the quality and technology leader in this key industrial technology.

We achieve this by giving free rein to our creativity. Freedom, passion for technology, openness to new ideas and working independently are the values that guide us. Our team of industry-experienced experts, specialists from various industries and young graduates enthusiastically implements what enables our customers to produce more efficiently.



dosmatix connects.

Dispensing is a key process in the production of electrical components across all industries. In view of the increasing miniaturization and complexity of electronic components, dispensing now plays a central role in many manufacturing processes.

To date, there is hardly any consolidated specialist knowledge about this process technology. Potting technology plays a decisive role here. The various potting techniques with different materials complete the functionality and contribute significantly to the reliability and durability of high-quality components.

branches

renewable energies

dosmatix potting applications, such as the insulation and potting of electrical components, ensure the durability and robustness of the stressed components of solar modules and wind power generators

building technology

The focus is on long-term protection against weather influences such as temperature, moisture or frost. The variety of materials is immense. This makes adaptable system solutions for every dispensing task all the more important.

aerospace

dosmatix dispensing systems are extremely economical. The material feed achieves top values in terms of residual quantity utilization - crucial when using expensive high-tech materials.

automotive

dosmatix provides efficient precision processes - for the application of adhesives, the sealing of component joints or the potting and encapsulation of high-quality and sensitive components in vehicles, for example.

industry

Dispensing plays a key role in today's industry. Modular dosmatix system solutions can be easily, quickly and flexibly adapted to the special potting requirements of a wide range of components.

e-mobility

This is where dosmatix masters challenges - such as extremely robust adhesive connections between battery cells or long-term protection against temperature fluctuations, vibration, dirt or moisture.

medical technology

dosmatix solutions offer maximum process reliability for demanding dispensing and potting processes in medical technology, such as a variety of potting and gluing processes in cleanrooms (ISO 5).

consumer electronics

Precise dispensing of materials with different viscosities is crucial for the flawless functionality of a wide range of products, especially in miniaturized layouts in consumer electronics

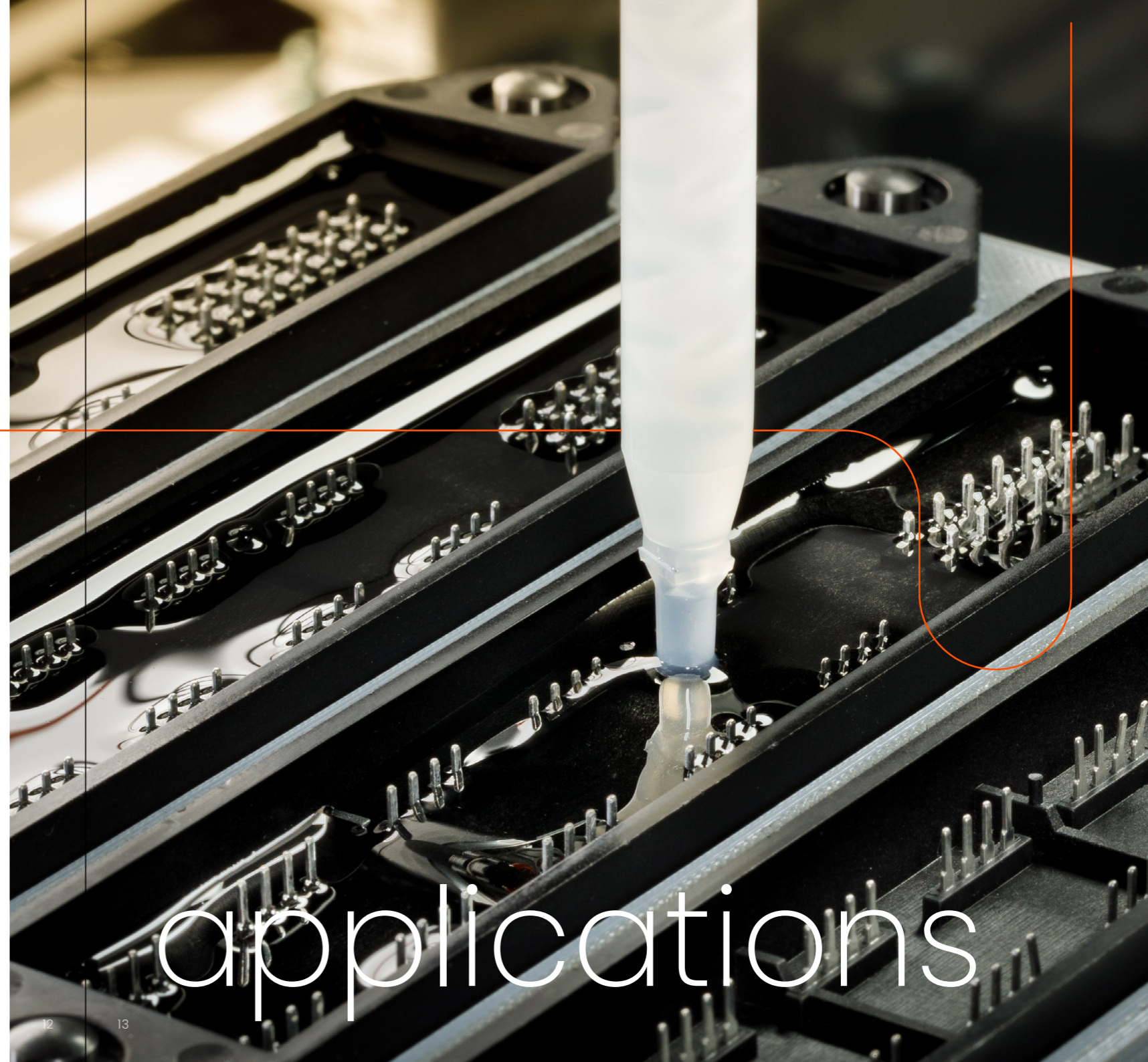


diversity needs flexibility.

Miniaturization, smart factories, Industry 4.0 and more and more different potting materials - these trends are increasingly making dispensing a key technology that can be used flexibly.

We at **dosmatix** see it as our central to provide our customers with specialist knowledge regarding material properties and material processing.

Potting processes require materials that are specially adapted to the respective task across all industries. The range includes epoxy resins, polyurethanes, silicones and heat-conducting pastes of various viscosities. One- or two-component materials as well as abrasive and non-abrasive materials are used.



applications



sealing

The application of sealing media protects against external influences such as moisture, gases, dust, aggressive substances or temperature fluctuations. By applying or dispensing a liquid sealant, sensitive components such as control units or housings are protected.

Automated dispensing with dosmatix enables application along predefined potting contours with maximum precision - and with optimum utilization of residual quantities.



bonding

When bonding components, a wide variety of adhesives are applied precisely applied to the part to be joined at predefined points, for example in the form of glue dots or glue lines. In most cases, one- or two-component adhesives are used, based on polyurethane (PU), silicone or epoxy resin.

The dosmatix dispensing technology processes adhesives of different viscosities up to 3 million mPa·s - with maximum precision and in high cycles.



potting

Potting is used to protect sensitive components from environmental influences and thus increase their service life. Self-levelling (i.e. liquid) materials are suitable for permanently sealing the cavities of sensitive components using filling potting.

dosmatix components process specifically prepared one- or two-component potting compounds (1K / 2K) made of PU, epoxy resin or silicone, which differ in their degree of hardness, material density, reactivity, elasticity, chemical and thermal resistance, adhesion and color.



encapsulation

There are many reasons for sealing electronics. Embedding sensitive components in a potting compound protects them from environmental influences such as moisture ingress, protects against corrosion or the damaging effects of chemicals and gases. Potting also reduces the effects of mechanical shocks and vibrations.

The dosmatix piston dispenser dos piston can be used to dispense low-viscosity potting media from 0.1 to 106 ml - for complete coverage of the surface to be sealed.



insulation

Highly stressed products such as capacitors, chokes or ignition coils must be reliably protected against environmental influences. Insulation plays a key role here. Components encapsulated with casting resin are reliably insulated from each other - thermal, mechanical and electrical properties of the component are sustainably optimized.

Material processing with dosmatix ensures bubble-free preparation and material feeding. The entire vacuum potting process takes place in a closed system.



thermal management

The trend towards miniaturization and increasing computing power, which is associated with ever higher heat emissions, poses a challenge for dispensing and potting processes. More components in ever smaller spaces reduce the surfaces over which heat can be dissipated.

Thermal conductive media prepared with dosmatix are exceptionally effective at dissipating heat to prevent localized overheating and defects in electronic components.





dispensing new defined.

Automated dispensing solutions are becoming increasingly important in large companies. For medium-sized companies, this was previously associated with high system costs, as dispensing systems had to be developed for each dispensing task in special machine construction. Added to this are short production cycles and an increasing number of product variants. The dilemma: Economical operation requires flexible adaptation of a dispensing system to ever new components - without great effort.

These challenges are a thing of the past with **dosmatix**. The greatest possible flexibility was the most important goal during development. **dosmatix** is investment-friendly and grows with the requirements of the dispensing system. A higher degree of automation can be realized step by step through updates and upgrades.

products

dispenser

Different potting requirements such as variable dispensing quantities and cycle times place specific technical demands on the dispensers which are used. dosmatix dispensers offer ideal and tailor-made solutions for the precise potting of a wide range of materials and make an important contribution to the uncompromising top quality of the end products.

material preparation

Potting materials have a wide range of properties. Optimum material preparation (e.g. degassing or tempering) and trouble-free transportation of the material to the dispenser are therefore essential for reliable dispensing. The type of material influences which type of material supply is the right one for the respective application.

kinematics

Different production environments as well as potting and process requirements demand the integration of a dispenser into a manual workstation or a fully automatic kinematic solution. dosmatix offers flexible solutions. They fulfill the latest safety standards and provide tailor-made additional functions to ensure a safe and flawless dispensing process.



Piston dispenser

dos piston

Material dispensing from 0.1 to 106 ml for abrasive and non-abrasive media.



Material preparation

dos prep

Preparation and feeding of abrasive and non-abrasive materials up to a viscosity of 70,000 mPa·s.



Material preparation

dos feed H

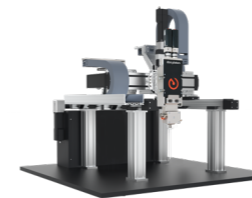
Transport of abrasive and non-abrasive materials in hoppers from a viscosity of 70,000 mPa·s.



Material preparation

dos feed C

Feeding abrasive and non-abrasive materials in cartridges from a viscosity of 70,000 mPa·s.



Integration

dos in-line

Axis system for movement of the dispenser in 3 degrees of freedom.



Stand-alone

dos cell

Axis system including protection cell for moving the dispenser through 3 degrees of freedom.



Stand

dos workstation

Stand solution for small series and prototypes.

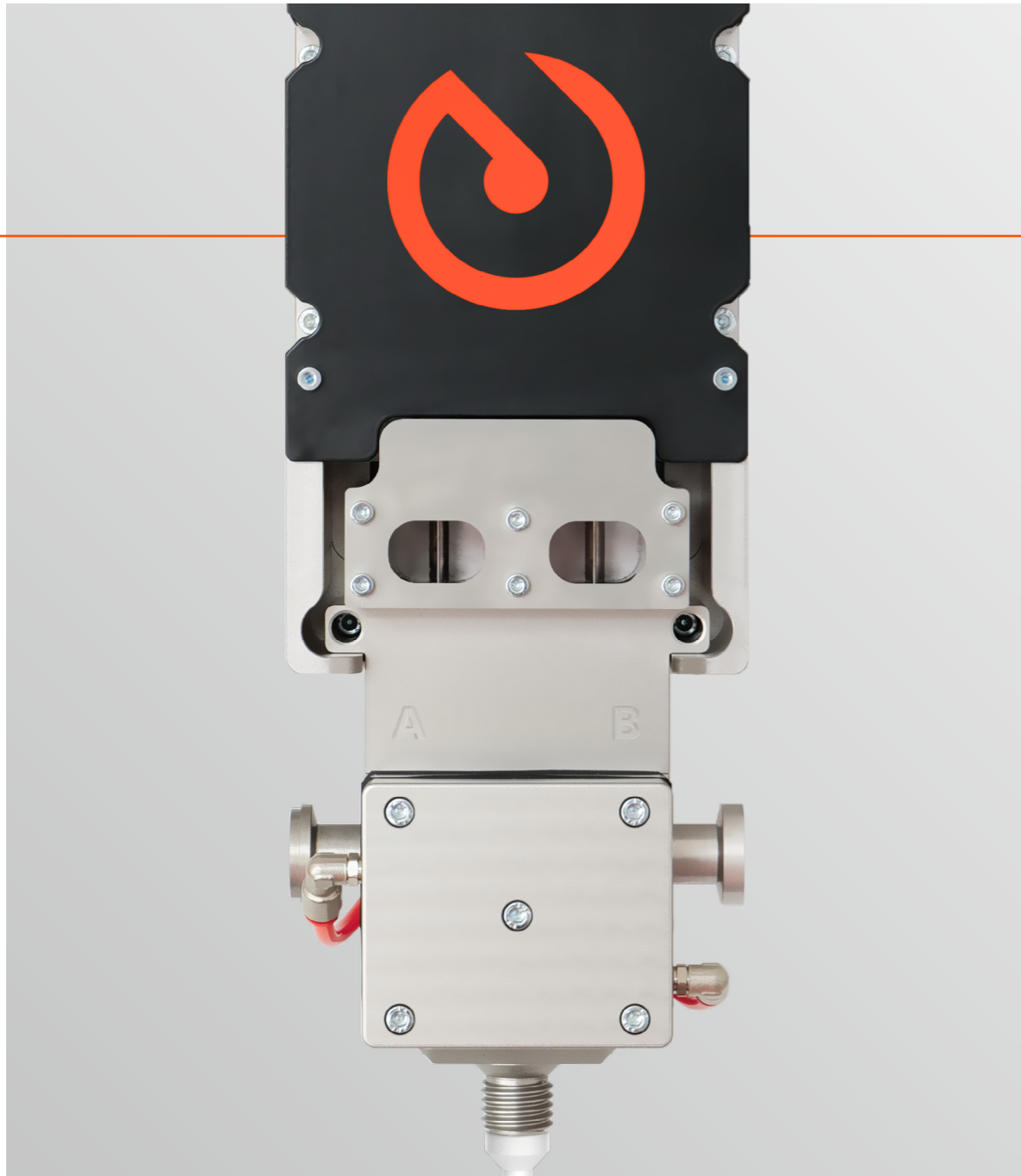
dos piston

the all-rounder of dispensing.

dos piston is a forward-looking solution for all industrial dispensing processes. The different versions available make this all-rounder ideal for all application tasks. The technical innovations of the dos piston not only make dispensing processes in production more precise, but also safer, more efficient, more economical – and therefore more cost-effective.

dosmatix.com/en/dos-piston





dos piston – advantages

- Intelligent system control
- Flexible mixing ratio settings
- Easy system integration
- Innovative construction



“Our goal was to develop an intelligent and modular dispenser that can perform a wide range of potting tasks. The reduction in the usual number of variants shortens the ordering time and reduces the ordering effort, which results in a considerable improvement in efficiency – and enormous cost savings without compromising on quality and process technology.”

We are very proud of the development of flexible mixing control. This allows batch changes or changes in material weight to be flexibly adapted. The dos piston is available in different sizes so that it can demonstrate its talent as an all-rounder in a wide range of applications.”

Benedikt und Anna
Development team dispenser

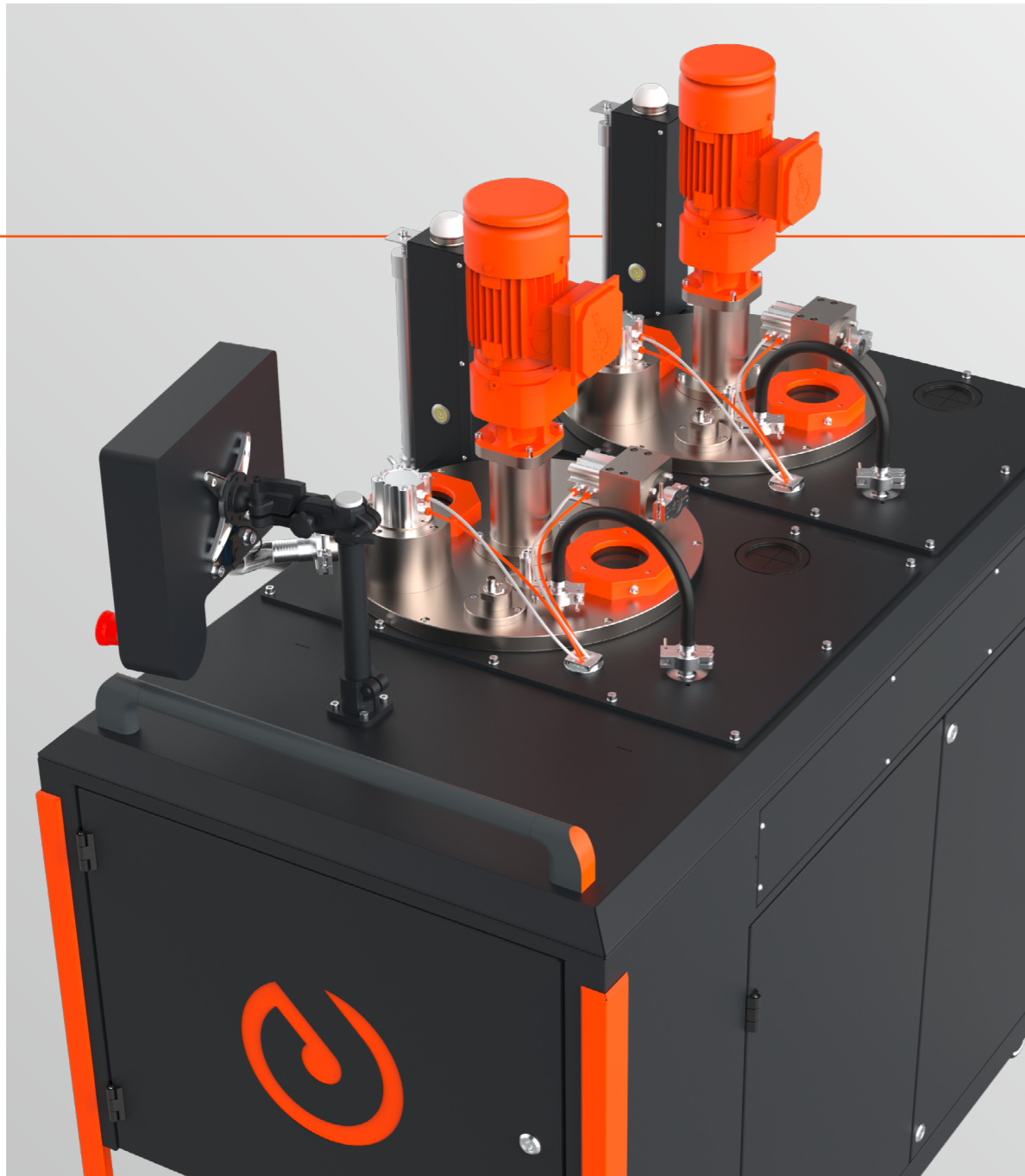
dos prep

material preparation
for perfect dispensing results.

represents a quantum leap in material preparation technology for dispensing systems, making a significant contribution to increasing the performance of dispensing processes in automated and manual production environments.

dosmatix.com/en/dos-prep





dos prep - advantages

- Unmatched feed performance
- Process reliability through self-regulation
- Industry 4.0-capable sensors
- Perfectly processed potting compound



"Our aim here was to significantly increase the performance of the double-piston pump in order to increase the delivery volume of the material and thereby the flow rate.

The electrical cabling in the system has been designed to be very easy to maintain: A small number of cables simplifies maintenance and facilitates spare parts management.

We are particularly proud of the new level sensor at the bottom of the boiler, which we developed completely from scratch in collaboration with a partner company. It is now much easier to determine the remaining tank volume. The power consumption of the heating has also been reduced"

Dominic
Developer dos prep

dos feed H

material feeding with
maximum material efficiency.

dos feed H reliably feeds paste-like material at over 70,000 mPa·s into dispensing systems. The possibility of fitting with two different pumps makes it possible to process an abrasive as well as non-abrasive media with different viscosities.

dosmatix.com/en/dos-feed-h





dos feed H - advantages

- Maximum material efficiency up to 99.6%
- Intelligent plant sensors
- Maximum process reliability
- Pump selection by requirement



"At its core, material preparation is about feeding absolutely bubble-free material to the dispenser. It is crucial for cost efficiency that no residual quantities remain in the hobbcocks and that expensive material is disposed of. The design challenge was to install the dos feed H mechanism in an enclosure with similar dimensions to the dos prep - without any loss of quality. We also managed this perfectly. .

The main difference to comparable systems is that the dos feed H delivers 100% bubble-free material through the dos ventup degasser, which is processed with almost no residual material. This is the decisive advantage of dosmatix. Especially with more expensive, high-quality potting materials, dosmatix users benefit from significant cost savings.

We are particularly proud to have achieved all our development goals in a very short time with dos feed H, including testing a wide range of concept approaches"

Sandra
Developer dos feed H

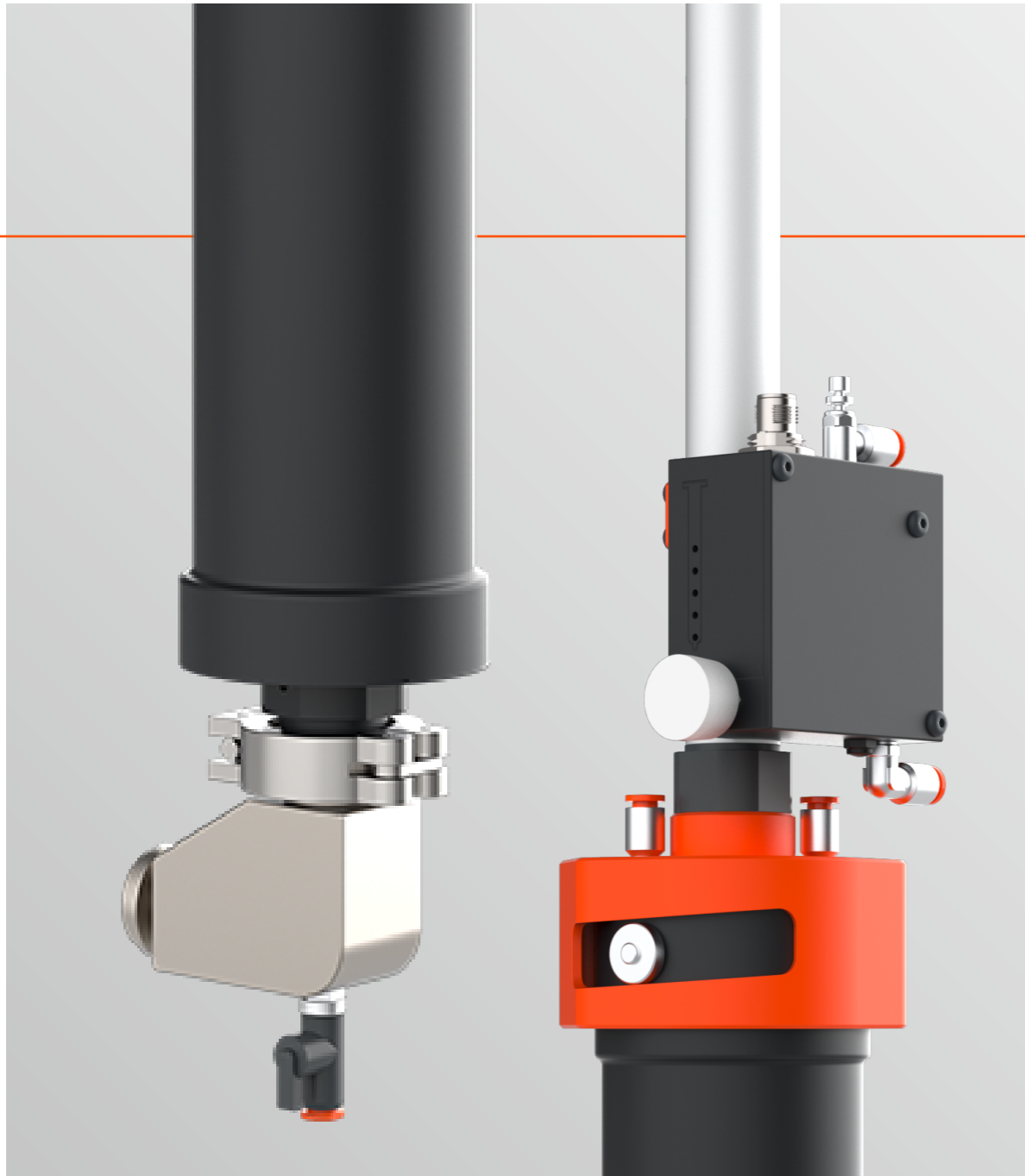
dos feed C

cartridge holder with
time-saving bayonet lock.

dos feed c can be easily attached to the dosmatix piston dispenser dos piston as a compatible component. Cartridges can be changed quickly and safely with just one movement. In the overall system, the lower weight of the significantly slimmed-down cartridge holder enables faster production processes.

dosmatix.com/en/dos-feed-c





dos feed C - advantages

- Weight-optimized for precise potting results
- Variable sizes for common cartridge types
- User friendly handling



"With the dos feed c cartridge holder, we have developed a material feed unit for dispensing small quantities of material. A bayonet lock replaces conventional threaded closures. The particular advantage lies in the handling: the bayonet lock enables quick opening and closing. There is no need for time-consuming screwing and unscrewing in an often cramped environment. This results in significant time savings. We have also extensively tested and proven the tightness of the new bayonet lock."

Our cartridge holder is available for one- or two-component materials and can be used both at manual workstations and in automated environments in conjunction with the dos in-line kinematics. We have paid particular attention to weight reduction. A low weight enables faster production cycles, as less mass has to be moved with the kinematics. All in all, the dos feed C is a compact and user-oriented product."

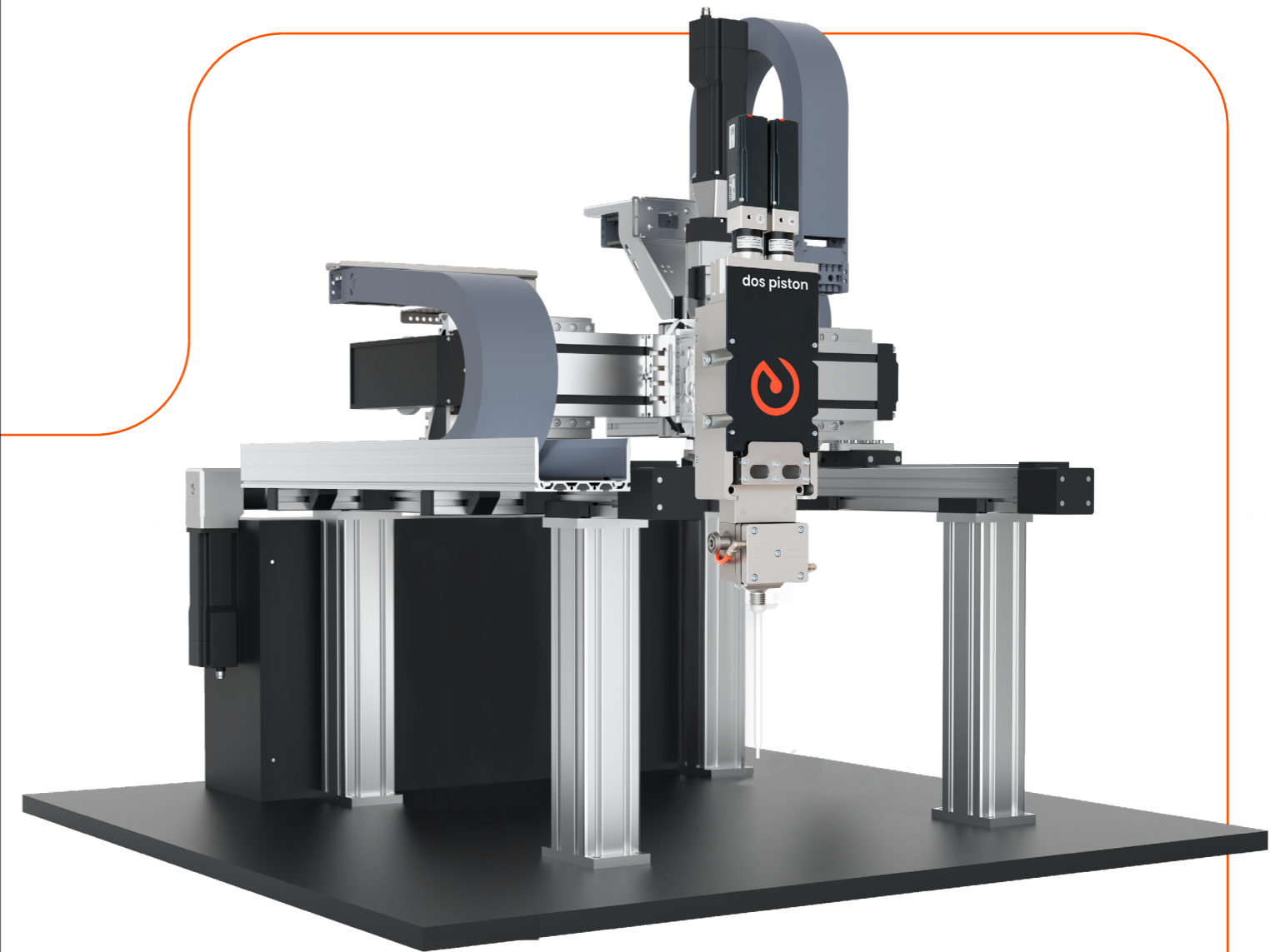
Danielle
Developer dos feed C

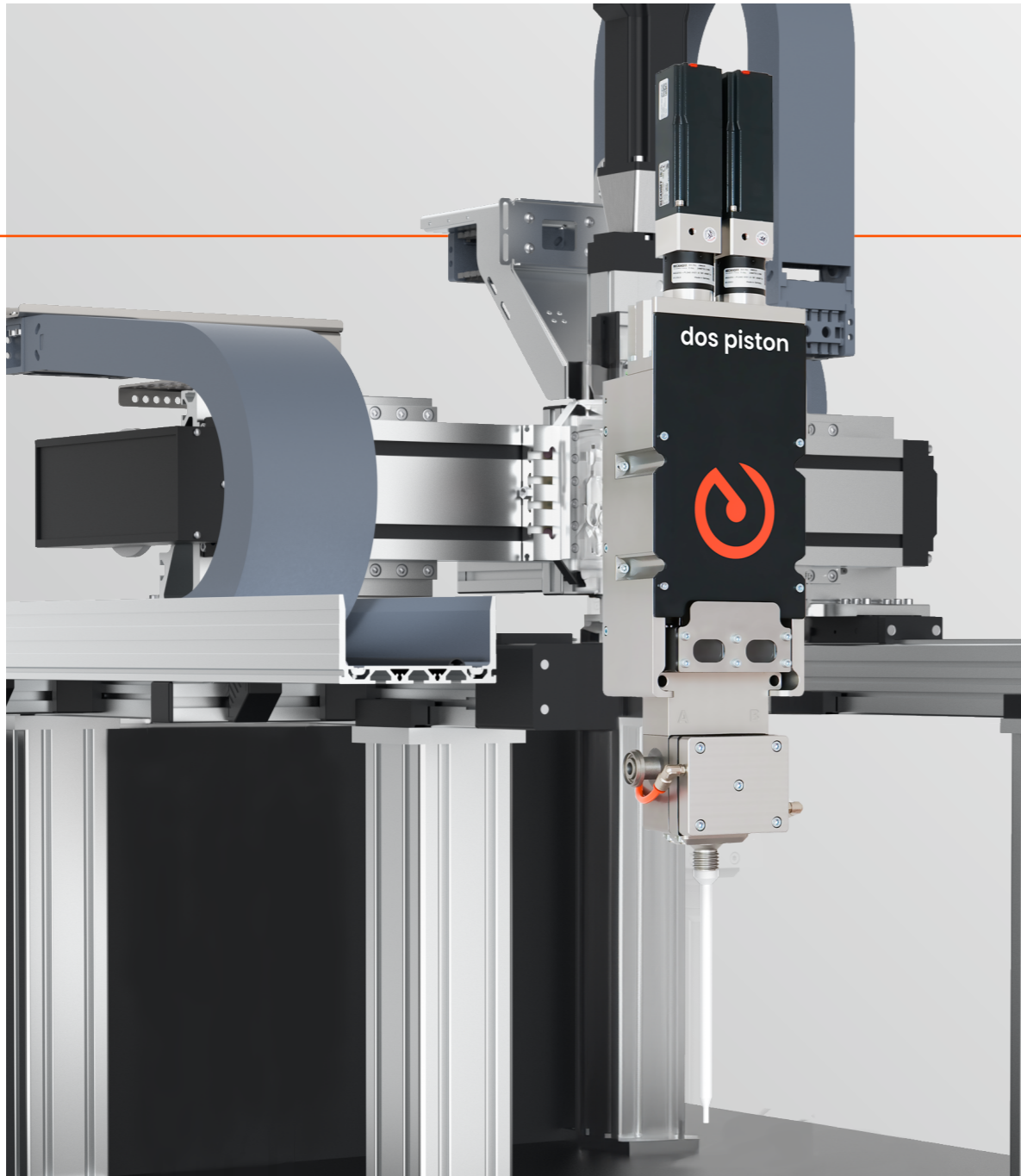
dos in-line

customized kinematics for
high performance dispensing.

dos in-line is a kinematic system in the form of a portal axis system for moving a dispenser. The robust 3-axis system meets all current requirements for positioning and repeat accuracy and is perfect for integration into existing production lines. In conjunction with dosmatix dispensers such as the dos piston, high traversing speeds and precise potting results are achieved in the shortest cycle times.

dosmatix.com/en/dos-in-line





dos in-line - advantages

- Maximum integration and compatibility
- Optimal integrability
- Scalable and flexible



„Speed and precision is the key to automation. Smooth integration into existing production environments - that was our most important goal during the development of the dos in-line axis system. It was very ambitious during the design phase to construct the entire system in such a way that it is modularly configurable. By concentrating on three sizes, which cover 90% of customer requirements, we have achieved this. This standardization enables us to pass on a considerable cost and delivery time advantage to our customers.“

With the dos in-line axle system, we have achieved a real technical coup. We are sure that this new technological approach will prevail.“

Till
Konstruktuer dos in-line

dos cell

modular axis system
with protection cell for
high performance dispensing.

dos cell is a kinematic system in the form of a portal axis system for moving a dispenser. Our dos cell is based on the same principle as our dos in-line, but with the addition of a protective housing and further safety features. It meets all the safety standards of industrial series production. In combination with dosmatix dispensers such as the dos piston, high traversing speeds and precise dispensing results are achieved in the shortest cycle times.

dosmatix.com/en/dos-cell





dos cell - advantages

- Scalable and flexible
- Latest safety standards
- Maximum integration and compatibility
- Latest safety standards



high dispensing performance for series production

example of a system

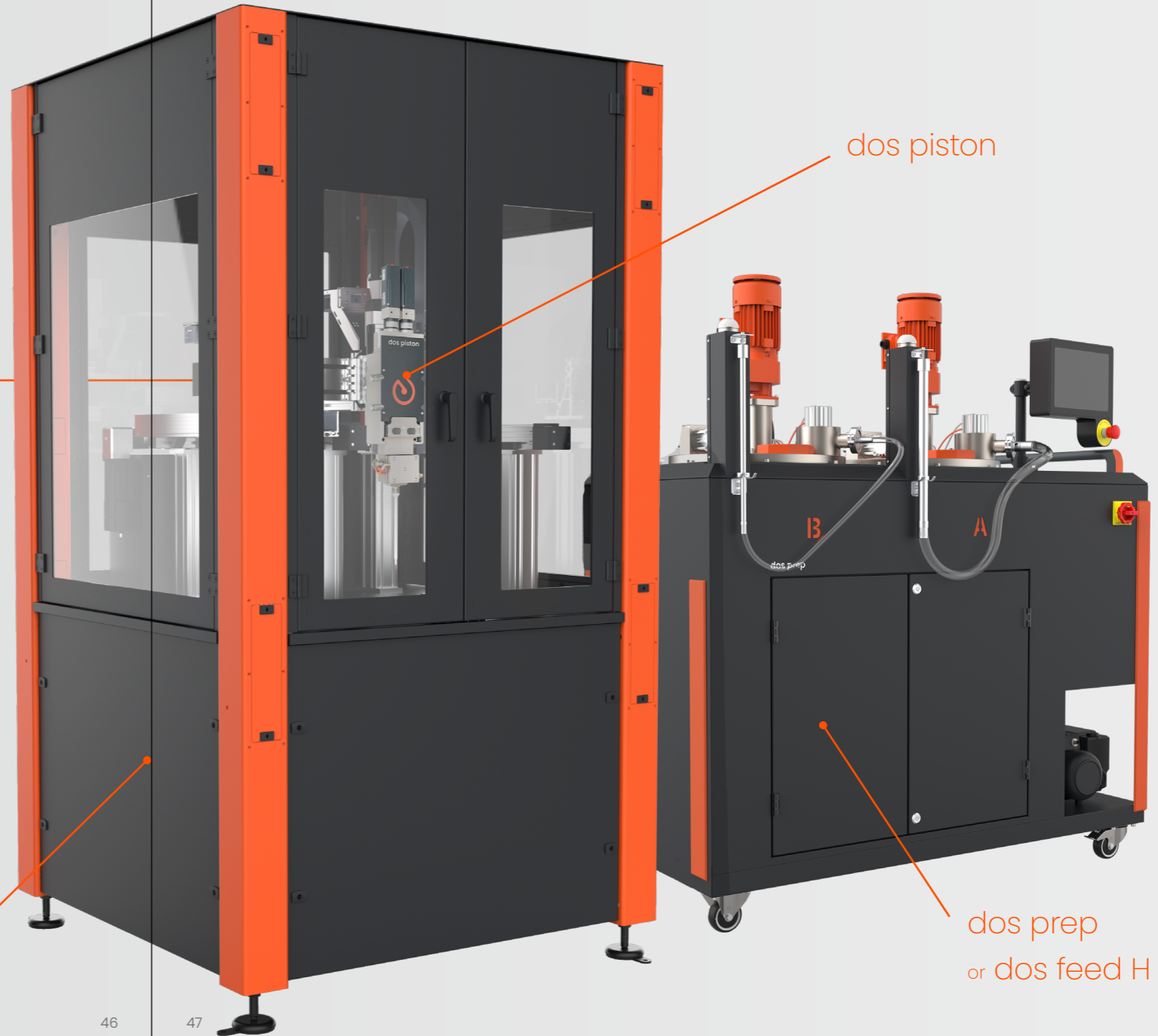
stand-alone **dos cell**
material feeding **dos feed H**
dispenser **dos piston**



example of a system

- **System idea:** Material preparation and feeding, dispensing system and kinematics together form a functional solution.
- **Flexibility:** Individual components can be simple customized to the specific dispensing application.
- **Range:** With dos prep, dos feed H and dos feed C, system components are available for a wide range of materials of different viscosities and properties.
- **Options for expansion:** For every dispensing application, an individual equipment with additional components such as heating and UV protection.
- **Spare parts management:** Thanks to the modular and optimized design, simple spare parts management is possible.
- **100% digital:** Interfaces for system control, monitoring and and software management provide Industry 4.0 compatibility.

dos cell incl.
dos in-line



value through digital service

The **dosmatix** modular system is designed to meet customer requirements in the best possible way. The focus is on short delivery times, targeted system configuration, flexible replacement of components, simple modification and smooth integration into existing systems.

dosmatix is designed to cover the maximum range of possible applications. Our focus on modular and intelligent systems also brings added value in terms of service compared to other providers. **dosmatix** innovations always have the goal of making the application easier for the customer. Examples of this are the digital product configurator and virtual commissioning, which enables optimization on the 3D model. **dosmatix** is the ideal platform for the development of innovative service concepts, which we coordinate closely with our customers and consistently drive forward. We are always ready to listen to our customers' wishes and requirements. Get in touch with us. Together we ensure that dispensing processes in your production as simply and efficiently as possible.



services



advantages

- Significant time savings in planning, realization and delivery
- Flexibility and range of applications
- Cost savings on investment and operation

dosmatix.merlincloud.de/customer/catalog

maximum flexibility with the product configurator



The unbeatable advantage of a modular component system is the quick and easy configurability based on the specific requirements profile defined by the respective dispensing application. Instead of investing in complicated, time-consuming and expensive special machine construction solutions, we have concentrated on developing components that can be used as flexibly and universally as possible to create adaptable systems. These systems meet the challenge of rapidly changing product variations.

With the help of our unique online product configurator, our customers can configure their dispensing system to their requirements in just a few steps and without any special knowledge. The **dosmatix** system configurator checks all the important parameters required to determine the ideal dispensing system. This allows our customers to configure their dispensing

system themselves according to their requirements and view it „in 3D“ - intuitively and without any background knowledge.

The configured dispensing system is 100% matched to the respective material and its properties - such as its viscosity.

With just a few application and material parameters, the configurator determines the right system, including all the required equipment features such as dispenser, kinematics, pumps or mixing unit. The system also displays further options, such as analog and digital sensors, camera monitoring or a heating module, for example.

virtual commissioning

Virtual commissioning means: importing, testing and modifying control systems on a digital twin before the successfully tested programs are transferred to the real machine.

The big advantage of the new design of our dispensing components is that we have consistently focused on digitalization right from the start. Our customers benefit from a digital showroom that is designed for all **dosmatix** system solutions.

A massive step forward in innovation is the application of the concept of virtual commissioning. All optional configuration variants of a **dosmatix** dispensing system can be displayed in advance on the 3D model.

advantages

- True-to-construction simulation
- System check via VR glasses
- User training on the digital twin
- Optimization of maintenance and service
- Time savings during commissioning



in comparison

Traditional start-up



Virtual start-up



contact

dosmatix GmbH
Abensberger Str. 9
93352 Rohr i. NB

Phone: +49 8783 9667 50
E-Mail: info@dosmatix.com
Web: www.dosmatix.com

sales

Phone: +49 8783 9667 530
E-Mail: sales@dosmatix.com





dosmatix.com